

**Pressure Gauges / Accessories / Adjustable Over Pressure Protector**

**CONSTRUCTIVE PROPERTIES**

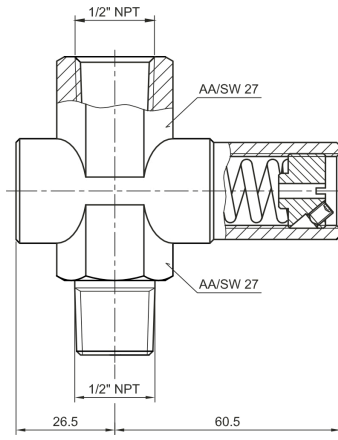
	STANDARD	OPTIONAL
Mounting Type	Vertical	-
Scale Unit	bar/psi	-
Scale Range (PN)	1/2,5   2/6   5/25   20/60   50/250   240/400	
Case	Stainless Steel AISI-316L	Monel 400
Inlet Connections	1/2" NPT	1/4" NPT   G 1/2"   G 1/4"
Outlet Connections	1/2" NPT	1/4" NPT   G 1/2"   G 1/4"
Packing	Viton	-

**USAGE PROPERTIES**

Operating Pressure (max.)	500 bar	-
Conformity	ATEX 94/9/EC   NACE MR 1075	
Operating Temperature	-25 / +100°C	-



**OPSB03N2N2**



Model No: OPSB03N2N2

www.Laheghi.com